

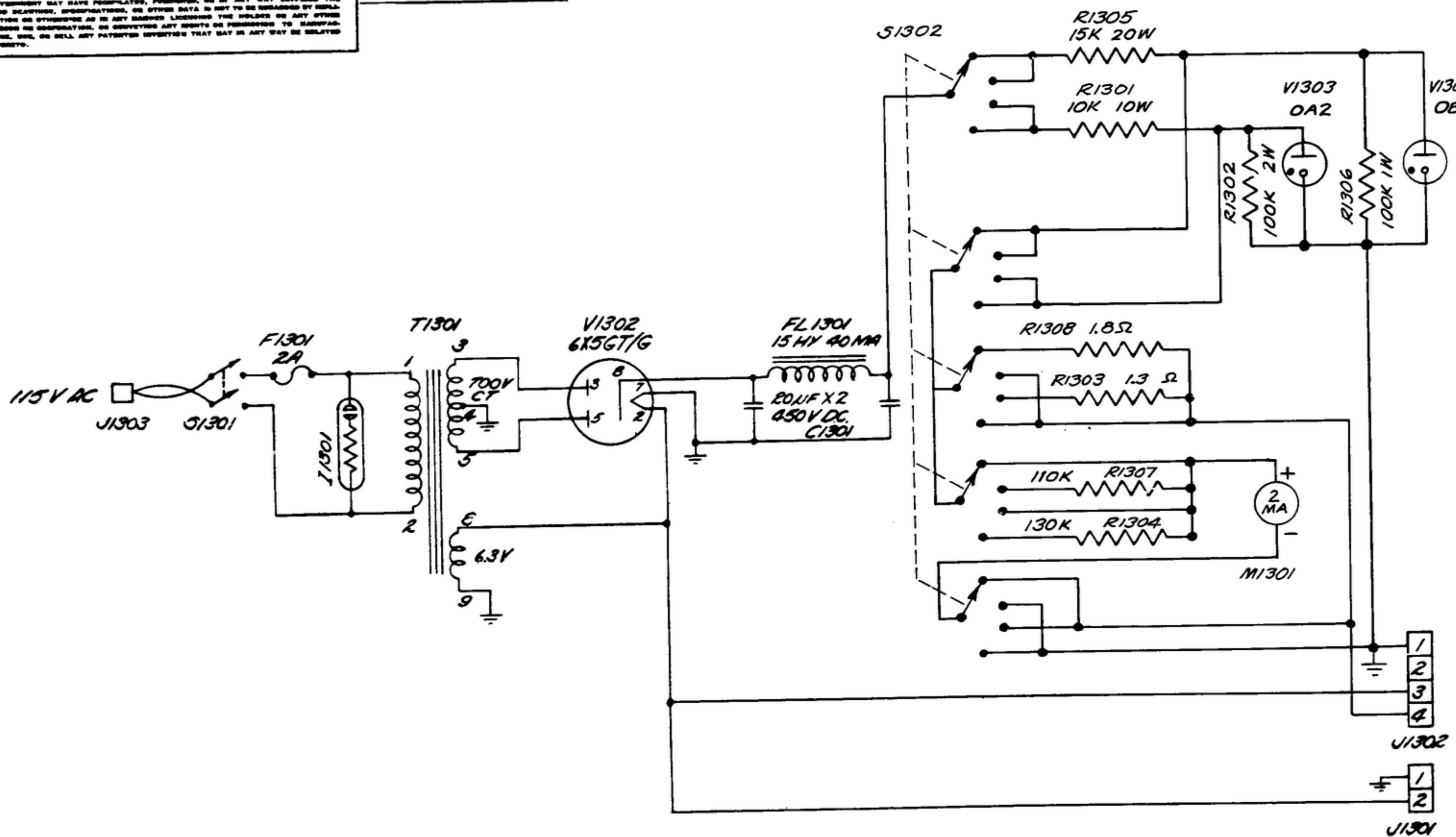
029 1202 022

NOTES: WHEN GOVERNMENT DRAWINGS, SPECIFICATIONS, OR OTHER DATA ARE USED FOR ANY PURPOSE OTHER THAN IN CONNECTION WITH A SPECIFICALLY RELATED CONTRACT, THE USER ASSUMES ALL RESPONSIBILITY FOR THE PROPER USE OF SUCH DATA. THE GOVERNMENT MAKES NO WARRANTY, REPRESENTATION, OR STATEMENT OF OPINION AS TO THE ACCURACY, COMPLETENESS, OR FITNESS FOR ANY PARTICULAR PURPOSE OF SUCH DATA. THE GOVERNMENT SHALL NOT BE LIABLE FOR ANY DAMAGES, INCLUDING CONSEQUENTIAL DAMAGES, ARISING FROM THE USE OF SUCH DATA. THE USER SHALL INDEMNIFY AND HOLD THE GOVERNMENT HARMLESS FROM AND AGAINST ALL CLAIMS, DAMAGES, LOSSES, AND EXPENSES, INCLUDING ATTORNEY'S FEES, ARISING FROM THE USE OF SUCH DATA.

THIS DOCUMENT HAS BEEN PURCHASED BY THE GOVERNMENT AND MAY BE REPRODUCED AND USED IN ANY MANNER WITH GOVERNMENT PERMISSION OR REPRODUCTION THEREOF.

\*FOR INFORMATION ONLY. CONTRACTOR MAY AT HIS OPTION DEVIATE FROM THESE PROCESS DETAILS.

| ORIG. ISSUE A |   | REVISIONS |                                  |
|---------------|---|-----------|----------------------------------|
| SYM           | DESCRIPTION   | DATE      | APPROVAL                         |
| B1            | (1) R1304 WAS 150 K   | 12 AUG 63 | GE B                             |
| C2            | (1) CIRCUIT TO RIGHT OF FL1301 & C1301 REVISED TO PERMIT SELECTION OF 150VDC AND 105VDC WITH CURRENT MONITORING. S1302 WAS 3 POLE 2 POSITION. ADDED COMPONENTS ARE V1304, R1305, R1306, R1307 AND R1308.<br>(2) DELETED NOTE 2. | 22 MAY 64 | 52713-PP-61 REV'D<br>JAR<br>GE B |



NOTES:  
1. UNLESS OTHERWISE SPECIFIED ALL RESISTANCE VALUES ARE IN KILOHMS. ALL CAPACITANCE VALUES IN MICROFARADS. ALL RESISTORS 1/2 WATT.

(C2)

| UNLESS OTHERWISE SPECIFIED              |             |
|---|-------------|
| DIMENSIONS ARE IN INCHES                |             |
| TOLERANCES ON FRACTIONS DECIMALS ANGLES |             |
| 5C-GL-5175B                             |             |
| SM-D-3320B                              | 5C-GL-57655 |
| NEXT ASSY                               | USED ON     |
| APPLICATION                             |             |

| DET. NO.  | REV. | PART NO. | DESCRIPTION | QTY.   | FINISHED QTY. | CHK'D   | DATE |
|---|------|----------|-------------|--|---------------|---|------|
| LIST OF MATERIAL  |      |          |             |  |               |   |      |
| COLLINS RADIO CO<br>CEDAR RAPIDS IA<br>08719-PH-55-58<br>SIGNAL CORPS<br>REVIEWED XXX<br>APPROVED<br>DATE 6 SEPT 56 |      |          |             | <b>SCHEMATIC DIAGRAM</b><br>FOR POWER SUPPLY<br>FOR INTERCHANGEABILITY GAGE<br>FOR R-390A/URR<br>& R-392/URR |               | DEPARTMENT OF THE ARMY<br>SIGNAL CORPS ENGINEERING<br>LABORATORIES<br>FORT MONMOUTH NEW JERSEY<br><b>SM-C-32232</b> |      |